

Miniature Day/Night Wide-Angle Lens



Description

The DSL322 is a miniature, day/night, wide-angle lens with multi-megapixel resolution. It achieves a design field of view of 120 degrees in a compact package. It is suitable for automotive, security and surveillance applications.

Key Features

- 120° design field of view
- Optimized for compact 1/4" sensor format
- Small size
- High image quality, suitable for megapixel cameras
- Lower cost than comparable lenses

Applications

- Automotive
- Security and surveillance

SUBJECT TO CHANGE WITHOUT NOTICE

Optical specifications

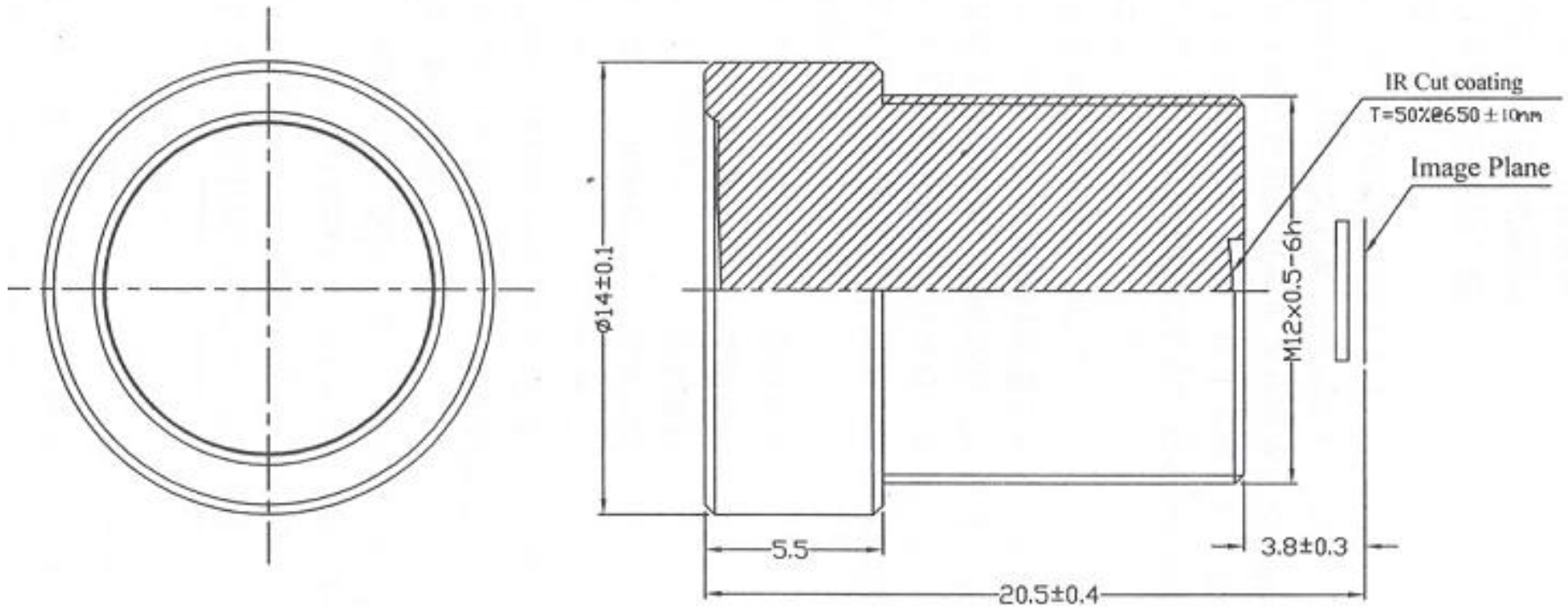
Sunex PN DSL322	
Description	Day/Night Wide-Angle Lens
Image circle	4.5 mm
Imager Resolution	Multi-Megapixel
Focal length (mm)	2.4
Back focal length (mm)	3.8mm
F/#	2.0
Total Track Length	20.5mm
Horizontal field of view on 1/4" imager	92°
Relative illumination	63% at full field
Filter Option	IR cut coating optional
Lens barrel thread	M12x0.5

Sunex Inc.

Telephone: +001 760.602.0988

Order samples online at www.optics-online.com

Mechanical Dimensions (in mm):



SUBJECT TO CHANGE WITHOUT NOTICE

Sunex Inc.

Telephone: +001 760.602.0988

Order samples online at www.optics-online.com