

Glass lens For 1/3" format imager**Description**

DSL202 lens is a multi-element glass lens optimized for VGA imager. This lens can be used a 1/3" imagers.

Key Features

- All glass elements provide environmental stability
- High quality image
- DSL202 is suitable for monochrome imagers

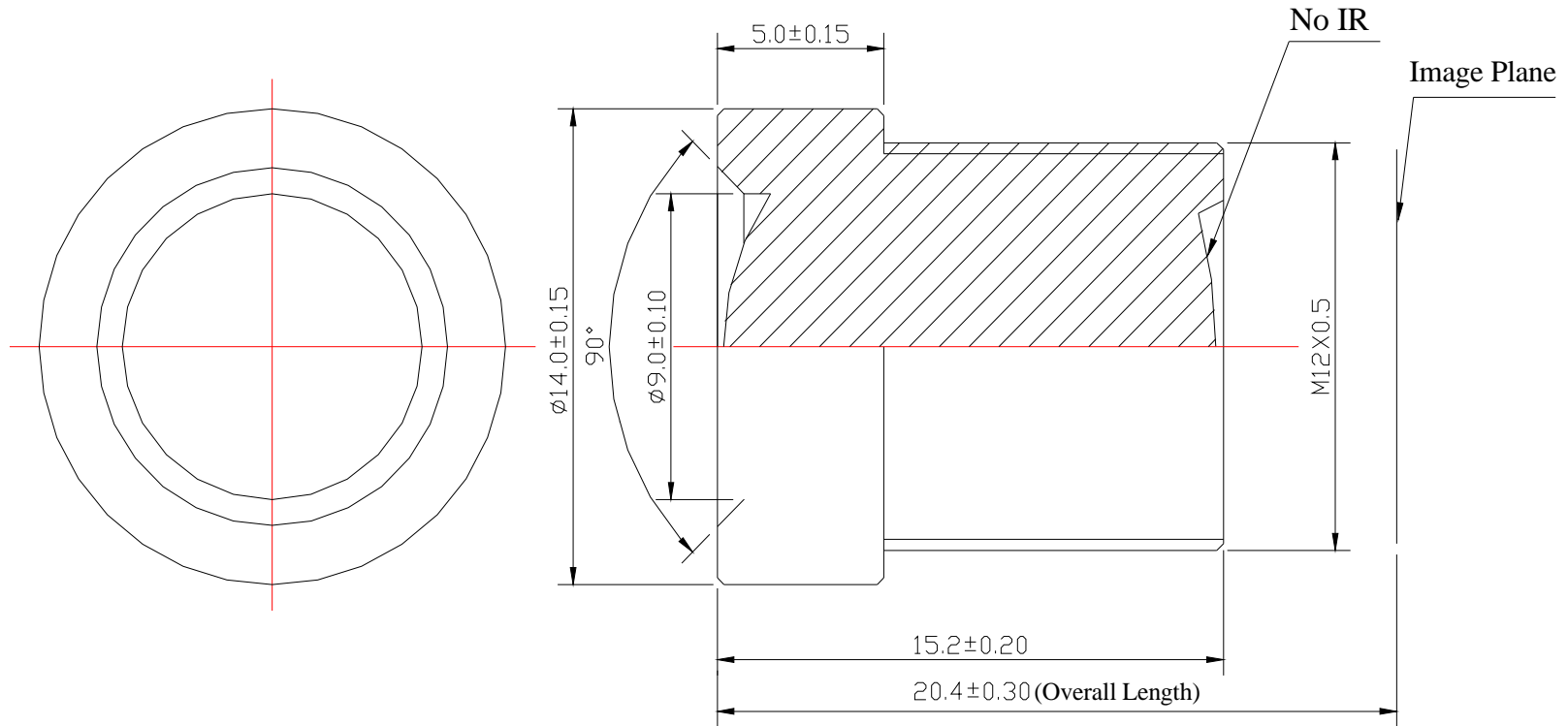
Applications

- Automotive applications
- Security surveillance cameras

Optical specifications

PN	DSL202
Description	Miniature lens
Imager Format	Up to 1/3"
Focal length (mm)	3.88
F/#	2.6
Design Image Circle(mm)	6
Diagonal Field of View (deg)	94 (on 1/3") 68 (on 1/4") 54 (on 1/5")
35mm Equivalent Focal Length (mm)	24 (on 1/3")
Modulation Transfer Function (MTF)	See MTF data for details
Resolution	See MTF data for details
Distortion	-28% (1/3") -15.5% (1/4") -9.6% (1/5")
Corner chief ray angle (deg)	14.9 (1/3") 10.1(1/4") 8.0(1/5")
Relative Illumination	81% (1/3") 91%(1/4") 95% (1/5")
Mechanical	See below
Filter Option	Optional
Lens mount option	Optional

Mechanical Dimension (DSL202A):



Barrel Material:Ly12